

PREPARED FOR: **Sands**  
LAS VEGAS SANDS CORP.

## PAR30L

LED PAR LAMP PRODUCT DATASHEET

REV: A  
11/2010



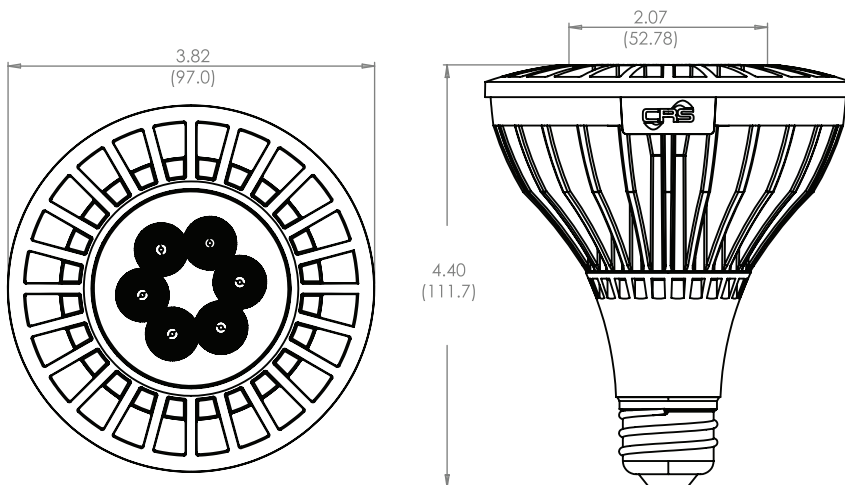
### PART NUMBER DESIGNATION

**PART NUMBER:** ICE R30L-3000-NF  
**DESCRIPTION:** PAR30, LONG NECK, 3000K, NARROW FLOOD BEAM

### BENEFITS & FEATURES

- RoHS Compliant Contains no mercury or lead
- Dimmable drive electronics enable dimming with most Triac (standard) wall dimmers.
- World leading LED technology inside enables world class performance for light output.
- CBCP exceeds ENERGY STAR® Integral LED lamp center beam intensity benchmarks.
- Thermal monitoring circuitry ensure that the lamp will automatically reduce power levels to protect itself. Can be used in recessed fixtures without overheating.
- Assembled in North America with solid supply chain management practices - ensures quality components throughout.

### DIMENSIONS



### SPECIFICATIONS

**INPUT POWER:** 14W

**VOLTAGE:** 120 VAC (60HZ)

**LUMINOUS FLUX:** 700 LM

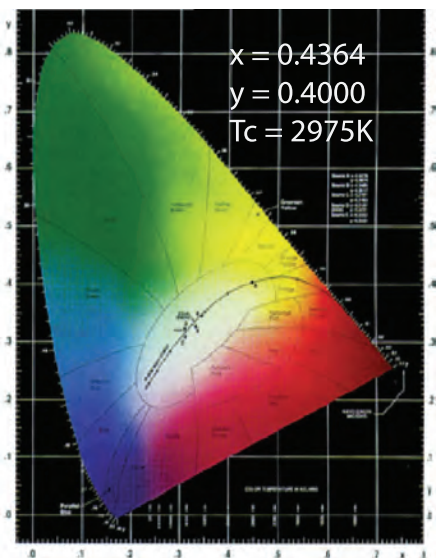
**CCT:** 3000K (WARM WHITE)

**CRI:** 85

**OPTICAL BEAM:** NARROW FLOOD

**RATED LIFE:** 50,000 HOURS

**WARRANTY:** 5 YEARS



SUBJECT TO CHANGE WITHOUT NOTICE